

# Front Derailleur - ROAD

## Specifications

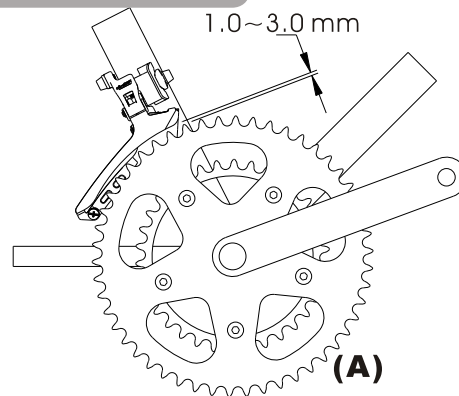
Model #	FD-R82、FD-R72	FD-R52	FD-R732	FD-R730	FD-R739	FD-R539	FD-R538
Chain Ring	Double		Triple				
Rear Speeds	10 Speed	9 Speed	10 Speed		9 Speed		8 Speed
Top Gear	50~56T		52~53T(-39-30T)	50T(-39-30T)	50T(-39-30T)	52T(-42T-30T)	
Capacity	16T		23T	20T		22T	
Chainstay angle	61° - 66°		63° - 66°				
Clamp Band diameter	φ 34.9 or φ 31.8 - Clamp spacer					φ 31.8 or φ 28.6 - Clamp spacer	
Chain line	43.5 mm		45.0 mm				
Shimano compatibility	Ultegra、105	Tiagra 44xx	Ultegra	105	Tiagra 45xx	Tiagra 44xx	Sora

## Installation

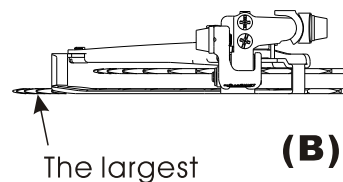
**Tightening torque 5-7 N.m**

### 1. Assembly the front derailleur to seat tube and set it on a proper position.

**a** .The clearance between outer plate of chain guide and large gear of chainring is 1.0~3.0mm(A).



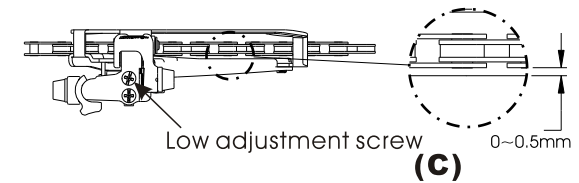
**b** .The outer plate of chain guide should be directly above and parallel to large gear of chainring(B).



### 2. Low adjustment

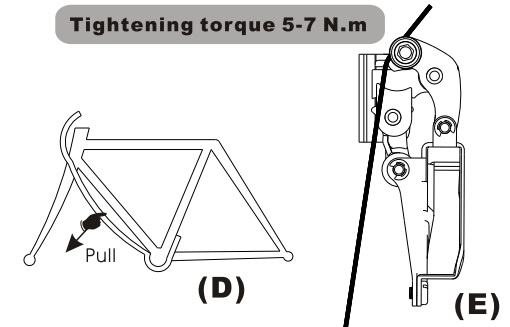
**a** .Set the chain on the bottom gear of chainring and top gear of rear sprocket.

**b** .Adjust the clearance to 0~0.5mm between the inner plate of chain guide and the chain(C).



### 3. Assembly the inner cable through down tube and bottom bracket (D), pull the cable tightly, then connect the cable to the fixing bolt of front derailleur (E). Re-check again to ensure the inner cable is not slack (D).

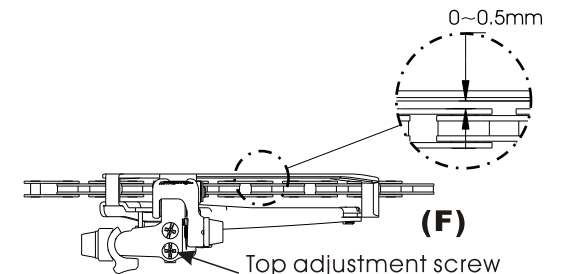
**Tightening torque 5-7 N.m**



### 4. Top adjustment

**a** .Set the chain on the top gear of chainring and bottom gear of rear sprocket.

**b** .Adjust the clearance to 0~0.5mm between the outer plate of chain guide and the chain(F).



### 5. Derailleur adjustment

**a** .In case of the chain does not drop from a larger gear of chainring to the smaller one when shift-down, adjust the adjusting screw on down tube (G) 1/4 turn at a time to loosen the cable.

**b** .If the chain does not climb up from a smaller gear of chainring to the larger one when shift-up, adjust the adjusting screw on down tube (G) 1/4 turn at a time to tighten the cable.

